

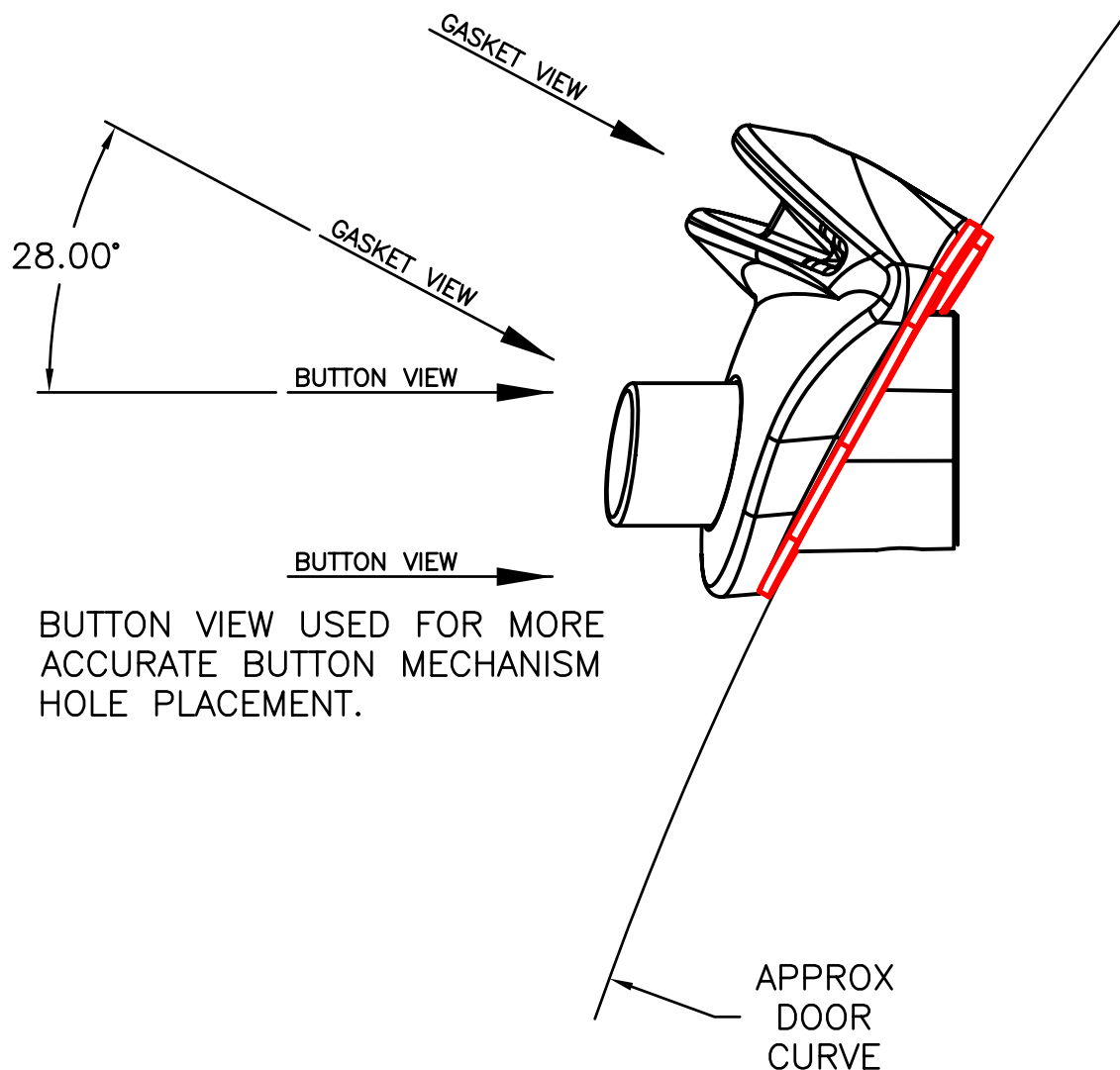


FORD HANDLE TEMPLATES. ACCURATE FOR
RINGBROTHERS PART NUMBERS:
50650-2051B, 50650-2051C

RINGBROTHERS

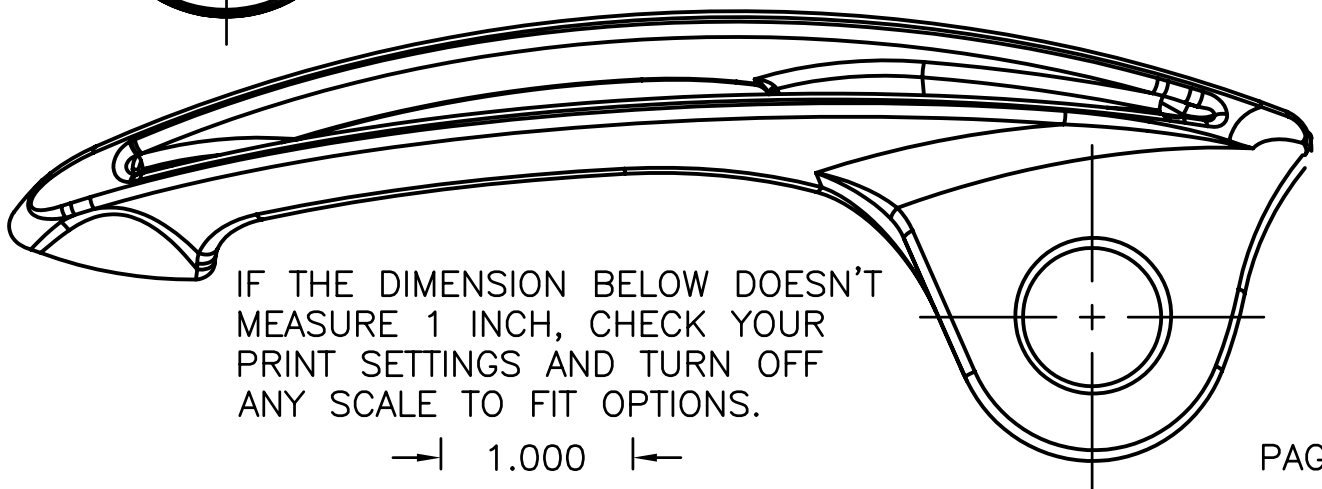
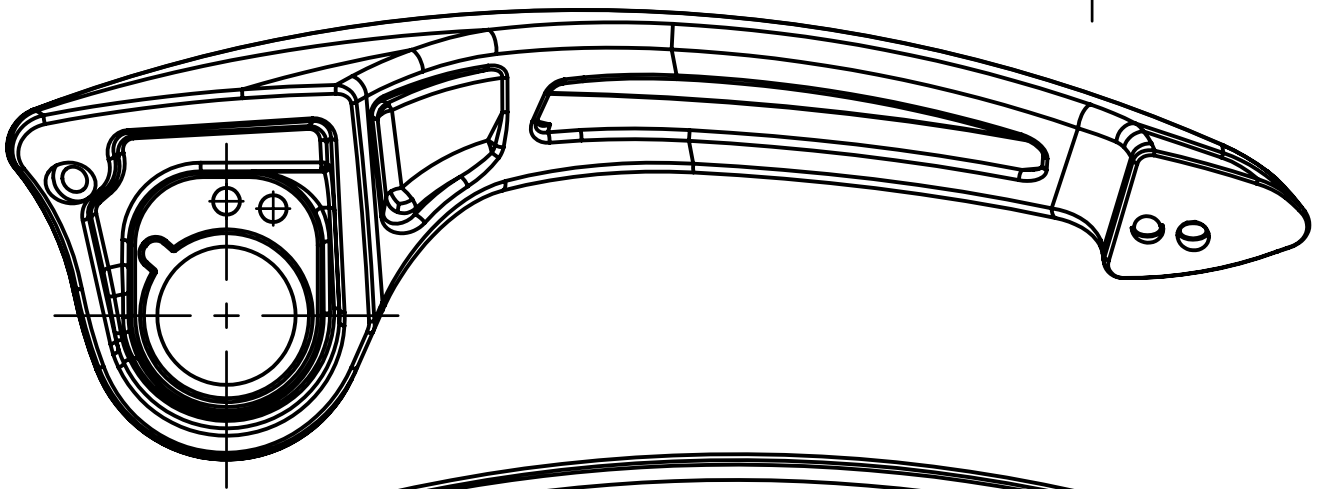
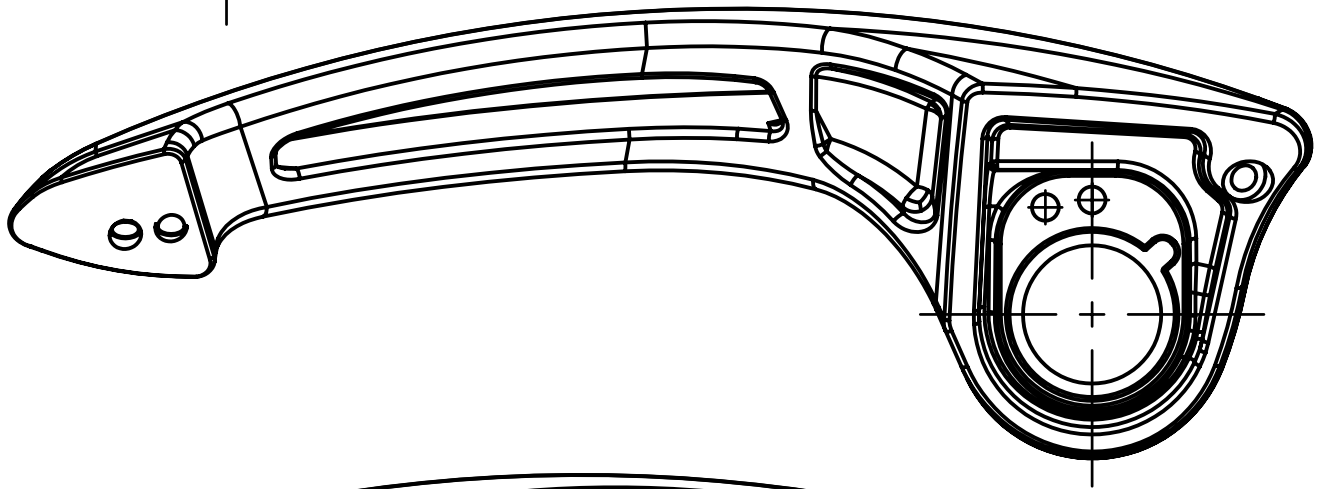
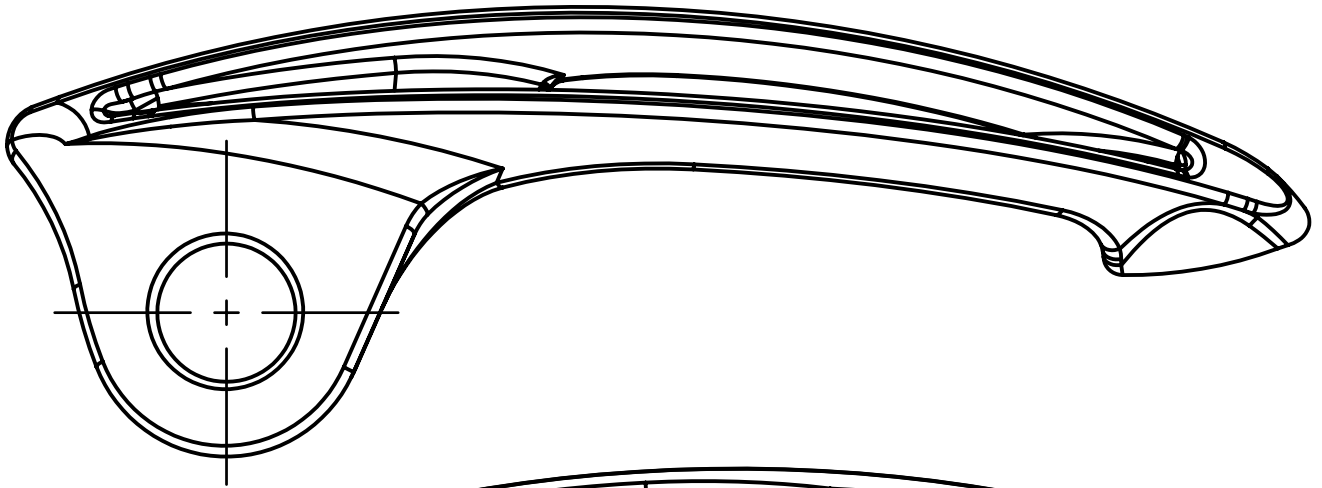
THE FOLLOWING SHEETS ARE TEMPLATES FOR USE IN PREPPING FOR RINGBROTHERS FORD HANDLES DESIGNED FOR USE WITH 1964-'70 MUSTANG MODELS. TWO VIEWS ARE PROVIDED; THE BUTTON VIEW CAN BE USED TO CHECK OR PREP MOUNTING AND CLEARANCE HOLES. THE GASKET VIEW IS USED TO PREP FOR GASKET SURFACE AREA COVERAGE.

GASKET VIEW USED FOR ACCURATE
OVERALL GASKET INTERFACE SHAPE.
(GASKETS SHOWN IN RED)



BUTTON VIEW USED FOR MORE
ACCURATE BUTTON MECHANISM
HOLE PLACEMENT.

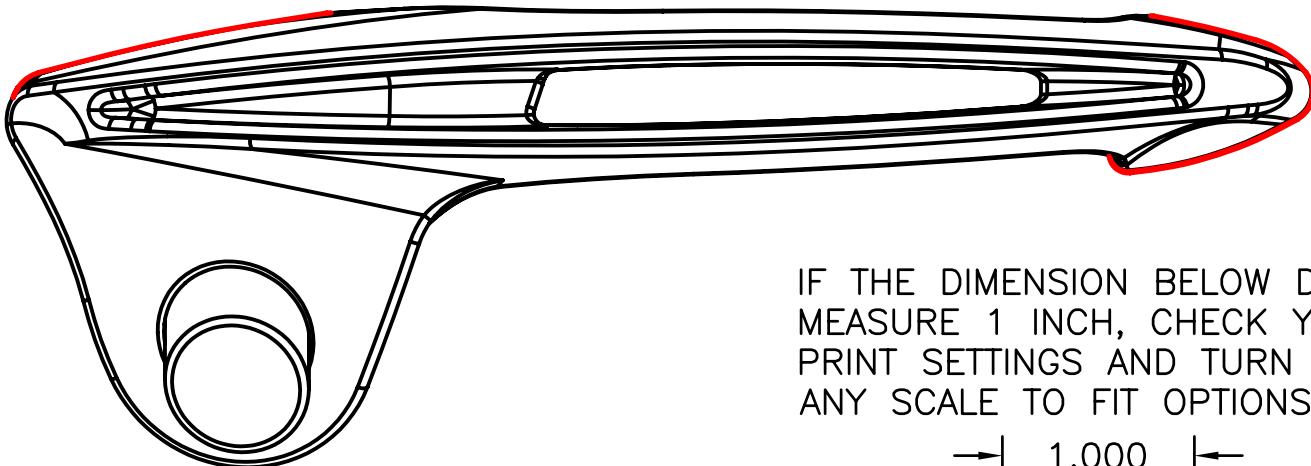
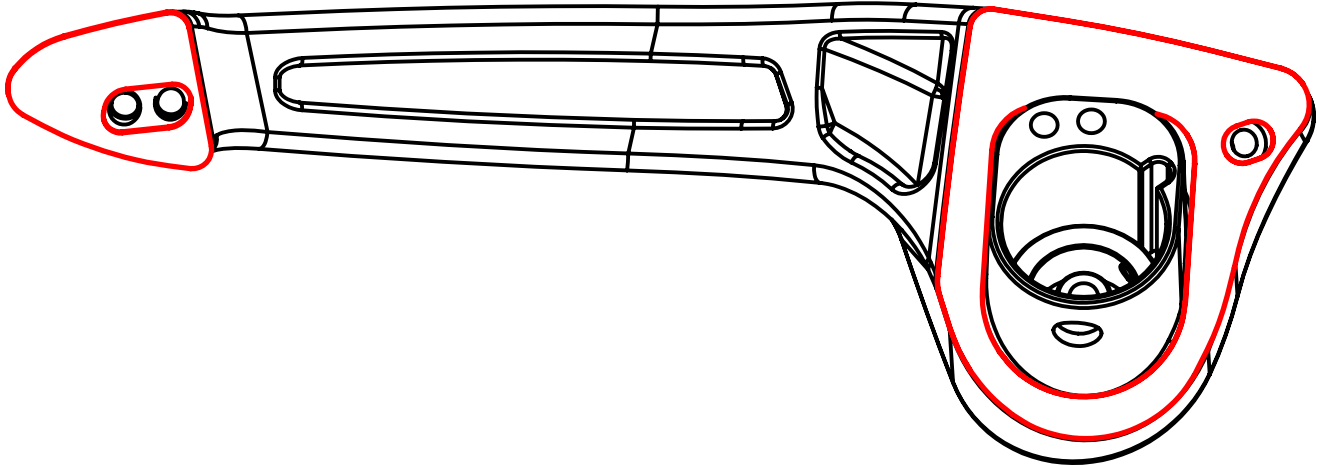
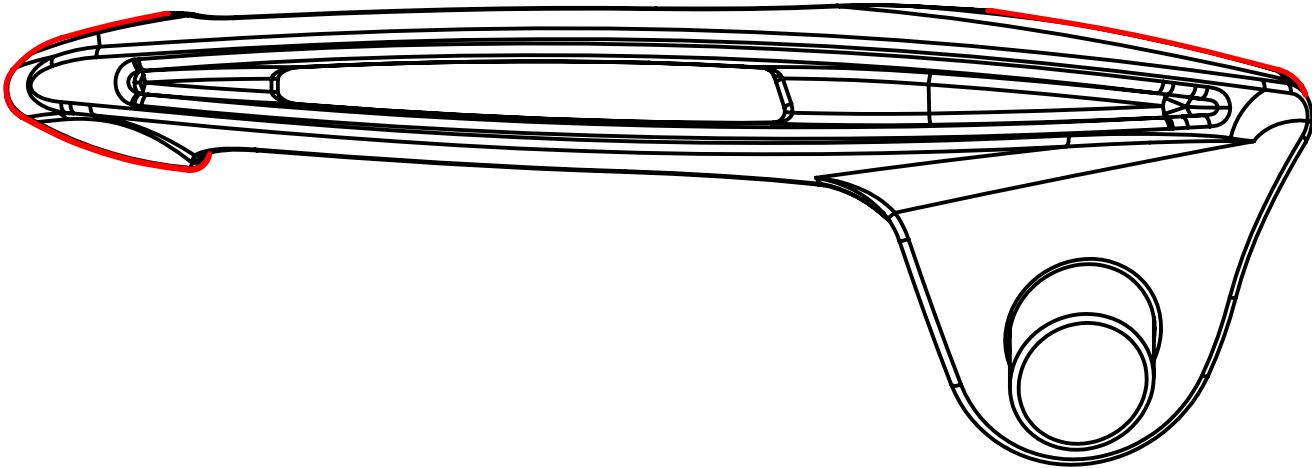
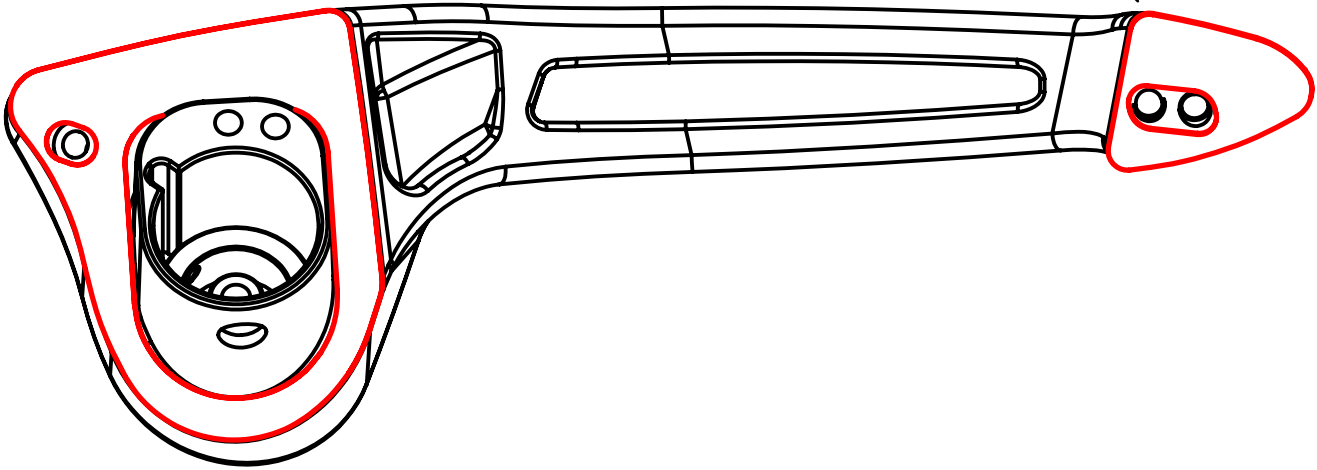
FORD HANDLE TEMPLATE (BUTTON VIEW)



IF THE DIMENSION BELOW DOESN'T
MEASURE 1 INCH, CHECK YOUR
PRINT SETTINGS AND TURN OFF
ANY SCALE TO FIT OPTIONS.

→ 1.000 ←

FORD HANDLE TEMPLATE (GASKET VIEW)



IF THE DIMENSION BELOW DOESN'T MEASURE 1 INCH, CHECK YOUR PRINT SETTINGS AND TURN OFF ANY SCALE TO FIT OPTIONS.